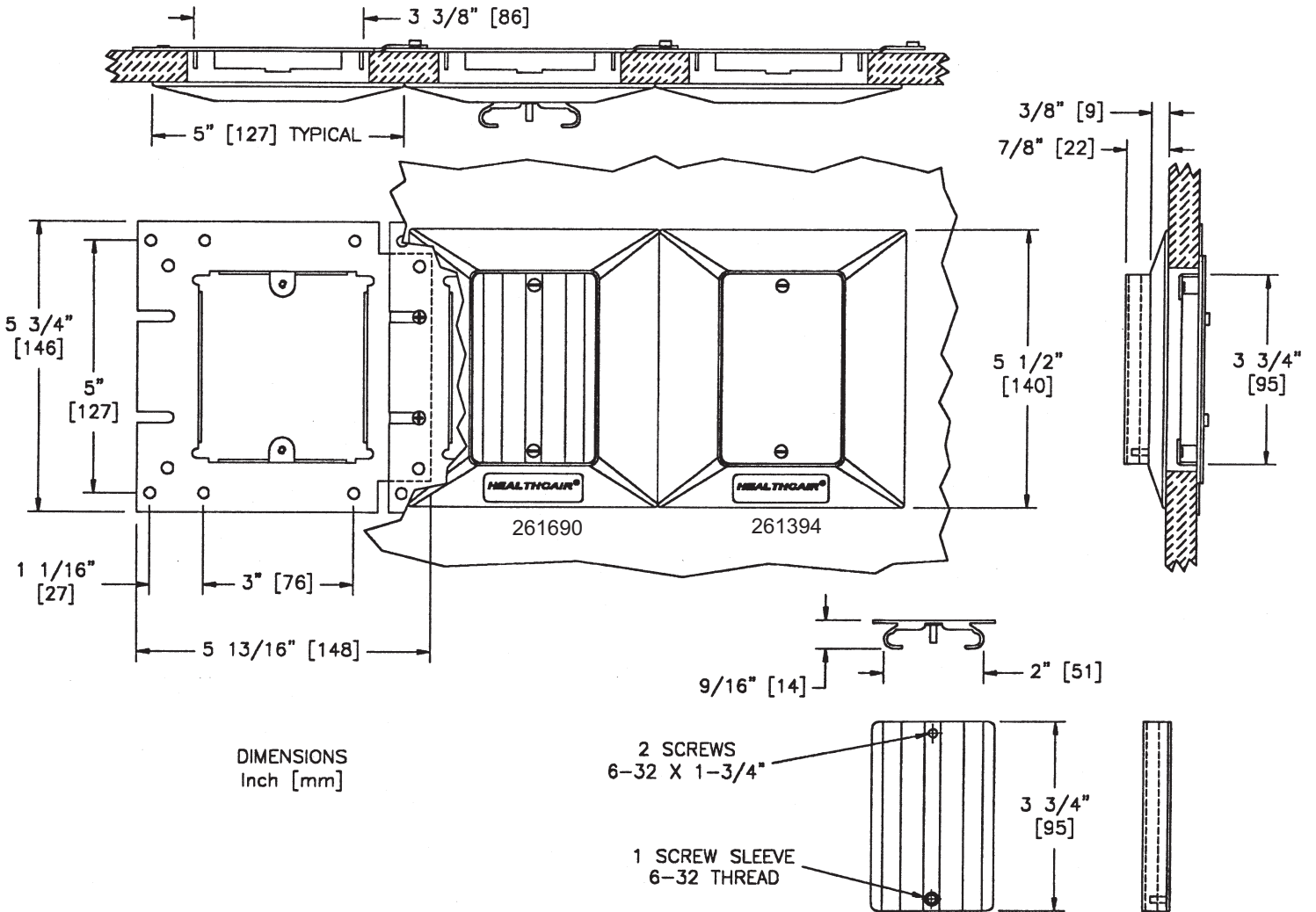


Wall/Console Slide Bracket & Blank Wall Assembly



PART NUMBERS

- 261690 Wall Slide
- 261691 Console Slide
- 261394 Wall Cover Blank

MATERIALS OF CONSTRUCTION

- Slide: Aluminum
- Screws: Plated Steel
- Cover Plate: Cycloloy®

Cycloloy® is a registered trademark of GE Plastics.

Ohio Medical Corporation
1111 Lakeside Drive
Gurnee, IL 60031-4099 USA
800-448-0770 • www.ohiomedical.com
Ph: 847-855-0500 • Fax: 847-855-6300

255093 (Rev.3) 02/06

