

Ceiling Column Outlets

FEATURES AND BENEFITS

- Accepts Chemetron/Allied®, Ohio Diamond, HillRom® Beacon Medaes, Puritan Bennett and DISS specific adapters
- Pin indexed to prevent interchangeability of gas services
- Each outlet is cleaned for medical gas service and pressure tested.
- Less than 3 psi (21 kPa) pressure drop through the outlet at 120 L/min and 50 psig (345 kPa) inlet pressure
- Gas specific back bodies can accept either Quick Connect or DISS front identification bodies
- Outlets can be adjusted up to 3/4" (19mm) in mounting plate thickness.
- Adapters are available from Ohio Medical Corporation

SPECIFICATIONS

The medical gas ceiling column outlet shall be Ohio Medical Healthcair® Series. The outlets shall be UL Listed, NFPA compliant, cleaned for medical gas service and be pressure tested. Each outlet shall have less than 3 psi (21 kPa) pressure drop through the outlet @ 120 l/min. and 50 psig (345 kPa) inlet pressure. For outlets providing positive pressure gas, the outlet shall be equipped with a primary and secondary check valve, the secondary check valve shall be rated for 200 psi (1,379 kPa) allowing the primary check valve to be removed for service without isolating the entire zone.

The ceiling column outlets shall have a gas specific back body which can accommodate up to a 3/4" (19 mm) plate. Each back body shall be equipped with a 6-1/2" (165 mm) length type "K" copper pipe stub which is brazed to the outlet body. The outside diameter of the copper pipe stub shall be 1/2" (12.7 mm). The body shall be 1-5/16" (33 mm) diameter one piece brass construction.

Outlet bodies shall be gas specific by means of a gas specific indexing pin arrangement. The indexing pins shall be arranged in such a way as to connect the latch-valve assembly only with the specific matching gas back body, preventing interchangeability of gas services.

The latch-valve assembly, which by means of color coding and wording shall identify the specific medical gas service provided by the outlet and shall accept gas specific adapters.

Equipment is manufactured in the USA and produced in an ISO 13485 registered facility.



Ohio Diamond Compatible Console Outlet



Chemetron Compatible Console Outlet



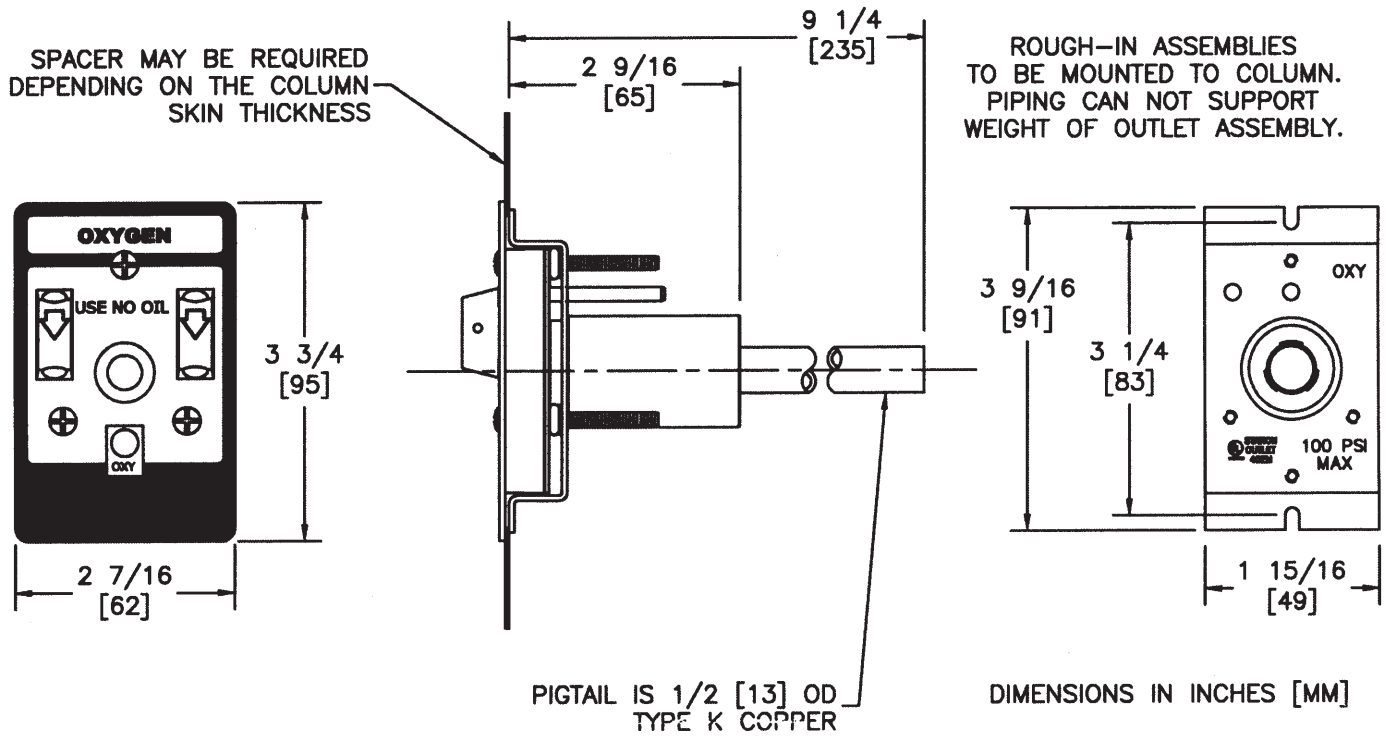
DISS Console Outlet



*Rebuild Kits Available

Chemetron® is a registered trademark of Allied Healthcare Products, Inc.
Hill-Rom® is a registered trademark of Hillenbrand Industries

Chemetron Copmpatible Shown



<u>DESCRIPTION/PRODUCT</u>	<u>DISS Ceiling Column</u>	<u>Diamond Compatible Ceiling Column</u>	<u>Chemetron Compatible Ceiling Column</u>
Oxygen	261000-4	261010-4	261020-4
Vacuum	261000-8	261010-8	261020-8
Air	261000-16	261010-16	261020-16
Nitrous Oxide	261000-12	261010-12	261020-12
Evacuation	261000-24	261010-20	261020-20
Nitrogen	261000-20		
Carbon Dioxide	261000-28		

TRUSTED BRANDS OF OHIO MEDICAL



Ohio Medical Corporation - 1111 Lakeside Drive - Gurnee, IL 60031-4099 USA
 TollFree: 800-448-0770 - Phone: 847-855-0500 - Fax: 847-855-6300
www.ohiomedical.com