

Medical Gas Control Panel



INSTALLATION & MAINTENANCE MANUAL

1.0 User Responsibilities

The information contained in this installation and operation maintenance manual pertains only to the Ohio Medical gas control panel. The gas control panel will operate in conformance with the descriptions outline in this manual only when it is operated, maintained and serviced properly and in compliance with the instructions contained herein.

The gas control panel should be tested and examined periodically. Any parts that are found to be damaged, corroded, contaminated etc. should be replaced. Should such repair or replacement become, necessary, contact Ohio Medical LLC at 1-800-448-0770 for original equipment replacement parts.

2.0 System Description and Function

The Ohio Medical gas control panel is designed to supply medical air tools with variable pressures up to 200 psig. The gas control panel is comprised of supply and delivery gauges, a pressure regulator, a shut off valve, DISS (Diameter Index Safety System) outlet connection and an outlet pipe, which allows connections to additional outlets.

For ease of installation the Ohio Medical gas control panel is delivered in two sub-assemblies, the box assembly and the front frame assembly. The box assembly is made of the box itself, mounting brackets, hardware and type "K" copper stubs.

The front frame assembly consists of the frame, supply valve and supply and delivery gauges, pressure regulator, shut off valve and the DISS outlet connection.

3.0 Mounting Instructions

The box assembly includes brackets for ease of installation. The bracket includes a means to allow for varying wall thickness. The brackets should be adjusted so that the front edge of the box sub assembly will be approximately 3/8" past the finished wall with the mounting hardware tightened. The box should then be securely fastened to the wall studs at the desired height.

The copper pipe stubs may now be brazed to the appropriate pipeline. The pipe stubs are clearly marked with color coded labels indicating the correct gas. Take extreme caution not to overheat the panel during the brazing process by wrapping the lower part of the pipe stub in a cool damp cloth.

After the brazing has been completed the system may be pressure tested per NFPA 99 and/or local standards. All joints should be inspected for leaks. It is important to bypass the regulator and gauges in the gas control panel when performing the static pressure test on the completed pipeline system. To facilitate this, the back box is supplied with two flexible hoses joined together via a flared coupling, connecting the inlet stub directly to the outlet stub inside the box. After the static pressure testing is complete the gas control will be readied for use by disconnecting the flexible hoses; and connecting the free end of the inlet flexible hose to the inlet flare adapter. Likewise connect the free end of the outlet flexible hose to the outlet flare adapter. Now the flow of the gas from the inlet stub is directed through the components prior to exiting the outlet stub. Check all connections for tightness before putting the gas control panel into service.

4.0 Operation

Start-Up

1. Open the supply valve and verify incoming pressure by observing the supply gauge.
2. Connect the surgical equipment to the local and/or remote DISS (Diameter Index Safety System) Outlet(s).
3. Turn the pressure regulator knob either clockwise (increasing) or counter clockwise (decreasing) while observing the delivery pressure gauge until the desired pressure is met.

Shut Down

1. Close the supply valve, and operate the surgical tool to bleed
2. Turn the regulator knob fully counter clockwise
3. When the pressure is zero disconnect the surgical equipment

5.0 Servicing

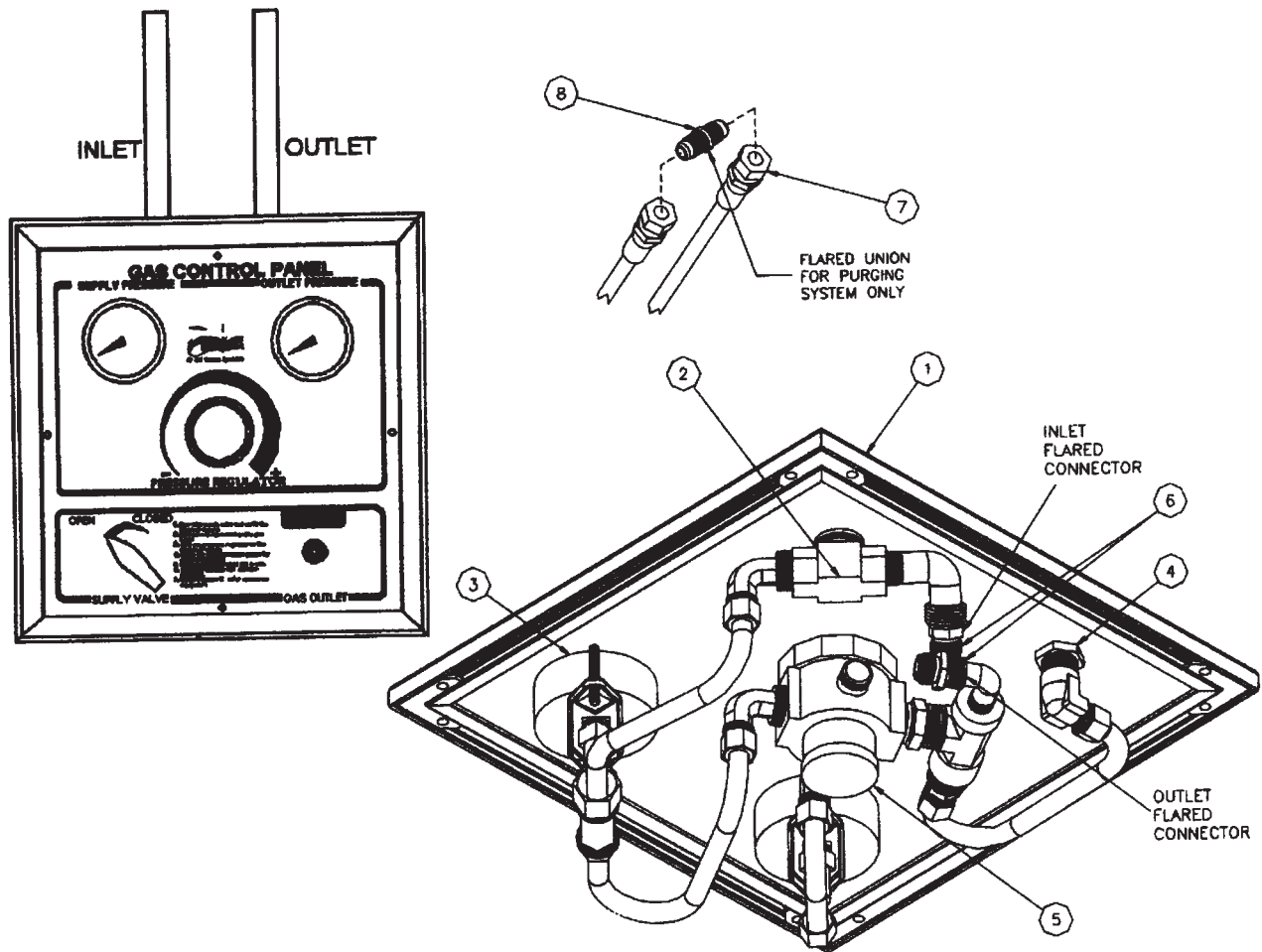
Before servicing the gas panel, follow the shut down procedure and bleed pressure from the nearest zone or lateral valve and then disconnect the incoming line.

Remove the screws from the gas panel front assembly, and disconnect the inlet and outlet flexible tubing located on the backside of the front panel.

Tightening tube fittings can eliminate most leaks. Use caution not to bend or over tighten fittings. When replacing fittings use Teflon tape.

6.0 Trouble Shooting

<u>PROBLEM</u>	<u>CAUSE</u>
Difficulty in Maintaining Pressure	Check for Leaks Inside Panel Defective Regulator
Low Operating Pressure	Check Source Pressure Check for Leaks Inside Panel Defective Regulator
Difficulty with Shut Off Valve	Replace Shut Off Valve
DISS Outlet Leaks	Replace Valve Seats and/or Outlet Valve
Difficulty with Regulator Knob	Lubricate Knob or Replace
Hissing Noise	Normal, when Regulator Pressure is Reduced. Regulator is relieving type.



ITEM	QTY	DESCRIPTION	NITROGEN PART NUMBER	AIR PART NUMBER	CO ₂ PART NUMBER
1	1	Face Plate	261798	261913	263284
2	1	2 Way Brass Valve	261778	261778	261778
3	2	Gauge	261781	261781	261781
4	1	DISS Fitting	261731	261729	261753
5	1	Regulator (Set to 0 to 300 PSIG)	261766	261766	261766
6	2	Flared Adapter	261787	261787	261787
7	2	Flexible Hose	261772	261772	261772
8	1	Flared Union	261835	261835	261835

NOTES:

NOTES:



**North America
United States**

**Customer Service, Distribution Center
Technical Support, Sales and Service
Equipment Service Center**

Ohio Medical LLC
1111 Lakeside Drive
Gurnee, IL 60031 USA

P: 866 549 6446
P: +1 847 855 0800
F: +1 847 855 6218

info@ohiomedical.com
www.ohiomedical.com

© 2018 Ohio Medical LLC.
This document contains information that is proprietary and confidential to Ohio Medical LLC.
Use of this information is under license from Ohio Medical LLC.
Any use other than that authorized by Ohio Medical LLC is prohibited.