

## Continuous Vacuum Regulator Replacement Parts

(See other side for Intermittent Suction Unit Replacement Parts)

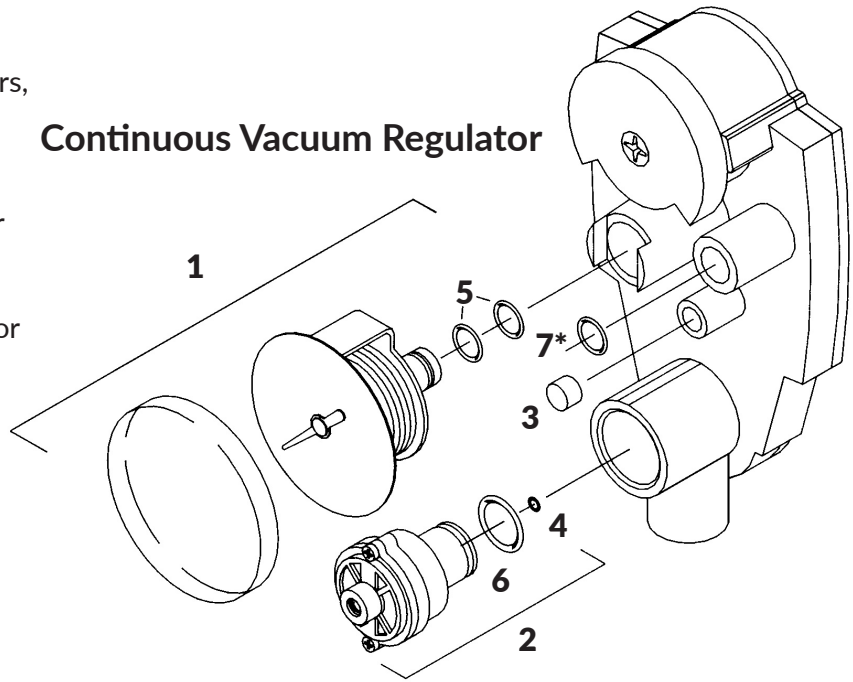
For Future Reference Add to your Continuous Vacuum Regulator Service Manual (6700-0072-000)

Note: When changing o-rings and/or filters, it is necessary to change the entire set.

Complete filter replacement should be made at annual intervals to ensure proper operation.

Refer to the Continuous Vacuum Regulator Service Manual for repair procedures (6700-0072-000).

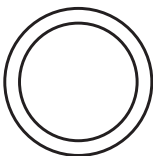
### Continuous Vacuum Regulator



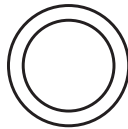
ITEM 4  
0210-0527-300



ITEM 5  
6700-0130-500



ITEM 6  
6700-0136-500



\* ITEM 7  
6700-0135-500

FILTER (ACTUAL SIZE)



ITEM 3  
0206-5159-300

Discount Part Kit	Kit Components			
	Description	Stock Number	Item	Kit Qty
0205-8689-870 Kit, Gauge, O-Rings & Lens	STD GAUGE	6700-0050-200	1	4
6700-0097-200 Kit,Gauge, O-Rings & Lens	HIGH VAC GAUGE	6700-0050-201	1	4
6700-0098-200 Kit, Gauge, O-Rings & Lens	LOW VAC GAUGE	6700-0050-202	1	4
6700-0026-700 Kit, Regulator Module with O-Rings	REGULATOR MODULE	6700-1225-800	2	6
6700-0190-700* Kit, Low CVR Regulator Module with O-Rings	LOW REGULATOR MODULE	6700-0428-800*	2	6
0221-5871-870 Kit, O-Ring/Filter, Complete Set	FILTER O-RING O-RING O-RING O-RING	0206-5159-300 0210-0527-300 6700-0130-500 6700-0136-500 6700-0135-500*	3 4 5 6 7	1 1 2 2 1

\*USED ON LOW CONTINUOUS MODEL ONLY

## Intermittent Suction Unit Replacement Parts

(See other side for Continuous Vacuum Regulator Replacement Parts)

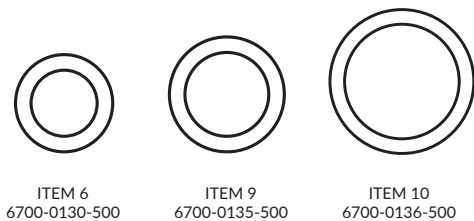
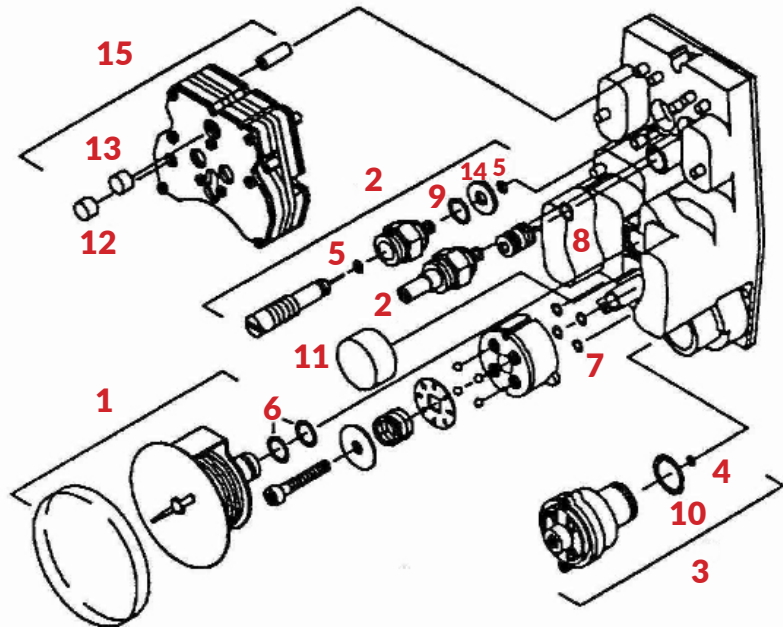
For Future Reference Add to your Continuous Vacuum Regulator Service Manual (6700-0082-000)

Note: When changing o-rings and/or filters, it is necessary to change the entire set.

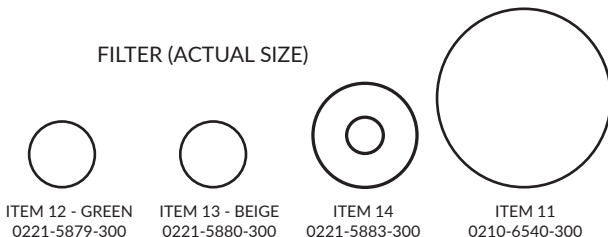
Complete filter replacement should be made at annual intervals to ensure proper operation.

When replacing the old style disc timing valve in the Intermittent Suction Unit, replace both valves with the new style needle valve as supplied with the Timing Control Valve (0207-8295-300).

Refer to the Intermittent Suction Unit Service Manual for repair procedures (6700-0082-000).



FILTER (ACTUAL SIZE)



Discount Part Kit	Kit Components			
	Description	Stock Number	Item	Kit Qty
0205-8689-870 Kit, Gauge, O-Rings & Lens	STD GAUGE	6700-0050-200	1	4
0207-8298-870 Kit, Timing Control Valve with Filter and O-Rings	TIMING CONTROL VALVE	6700-8295-300	2	6
6700-0026-700 Kit, Regulator Module with O-Rings	REGULATOR MODULE	6700-1225-800	3	6
0210-0474-870 Kit, Complete O-Ring Set	O-RING	0210-0527-300	4	1
	O-RING	0210-0593-300	5	4
	O-RING	6700-0130-500	6	5
	O-RING	6700-0131-500	7	4
	O-RING	6700-0133-500	8	1
	O-RING	6700-0135-500	9	2
0221-5884-870 Kit, Complete O-Ring Set	O-RING	6700-0136-500	10	2
	FILTER	0210-6540-300	11	1
	FILTER, GREEN	0221-5879-300	12	1
	FILTER, BEIGE	0221-5880-300	13	1
0221-5883-300	FILTER	0221-5883-300	14	2
6700-0024-700 Kit, Unilogic Module	UNILOGIC MODULE	6700-0093-200	15	4
0221-5887-300 Kit, Service Parts - ISU	KIT CONTAINS ALL PARTS (O-RINGS FILTER) FOUND IN BOTH 0210-0474-870 AND 0221-5884- 870 KITS SHOWN ABOVE			