

Emergency Oxygen Inlet Station

SPECIFICATIONS

The emergency oxygen inlet station shall be Ohio Medical series and comply with NFPA® 99. The emergency oxygen inlet station shall be provided to permit connection from an external auxiliary source of oxygen to the hospital's main oxygen pipeline on a temporary emergency or maintenance basis.

The emergency oxygen inlet station shall consist of a weather tight enclosure with a hinged door which can be either surface or recessed mounted. The door shall be labeled "EMERGENCY LOW PRESSURE GASEOUS OXYGEN INLET". The door shall be lockable to allow access only to authorized personnel. Instructions for proper operation shall be included inside the door. The inlet box shall have a 1" NPT (25.4mm) connection to the hospital and include a cap to prevent foreign material from entering.

Located inside the emergency oxygen inlet box shall be a 1" (25.4mm) brass ball valve, which can be opened or closed to allow the flow of oxygen. Also included is a 0-100 psi pressure gauge.

Externally mounted downstream of the main oxygen supply line shall be a main line shutoff valve and a bronze body check valve with female pipe threads on each end.

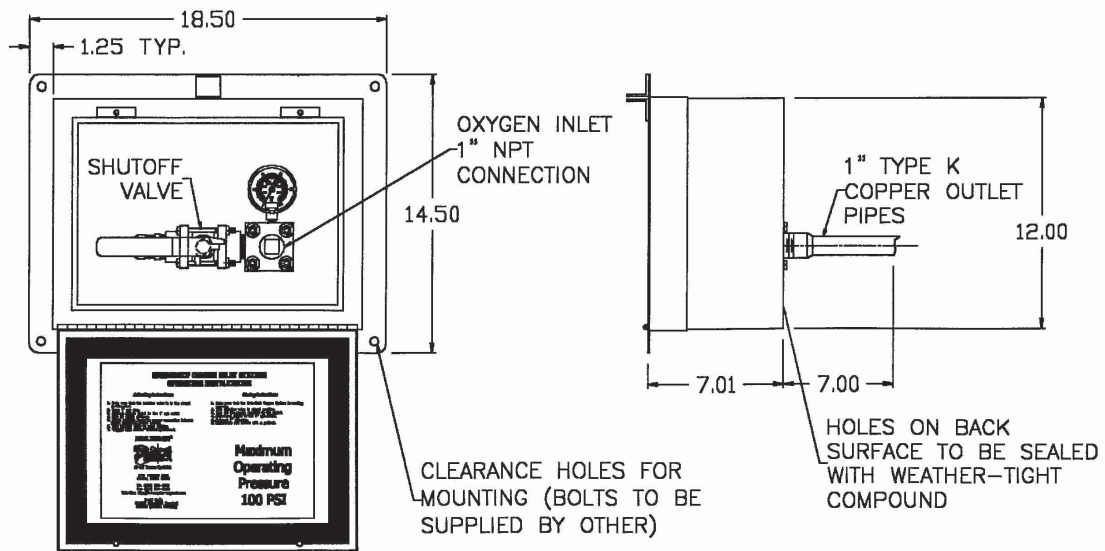
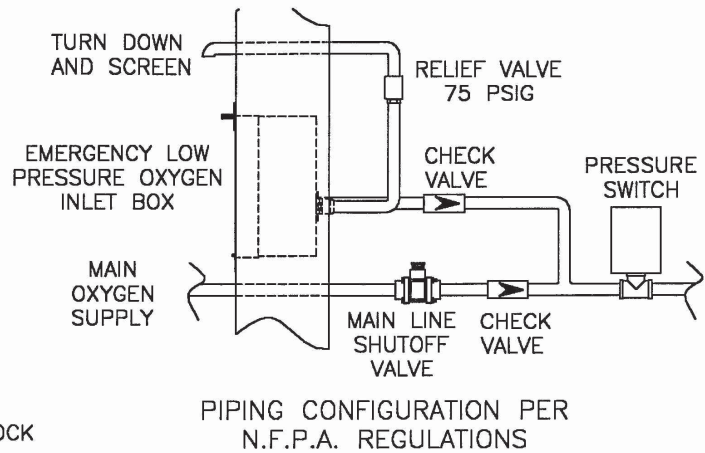
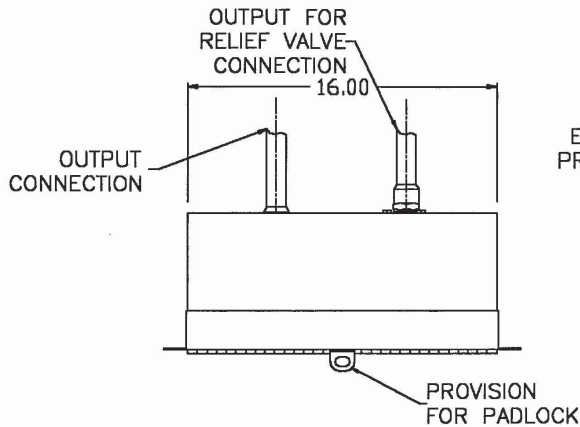
Externally mounted downstream of the emergency oxygen inlet station shall be a brass body relief valve set at 75 psi, which shall automatically reset after opening to assure a positive seal, and a bronze body check valve with female pipe threads on each end.

The relief valve discharge port shall be piped outdoors. All piping components shall be oxygen cleaned.

Equipment is manufactured in the USA and produced in an ISO 13485 registered facility.



Low Pressure
(Surface & Recessed Mounted)



PART #	DESCRIPTION
261825	Emergency Oxygen Inlet Station
261701-EXT	Check Valve, 3/4"
261702-EXT	Check Valve, 1"
261703-EXT	Check Valve, 1-1/4"
261704-EXT	Check Valve, 1-1/2"
261705-EXT	Check Valve, 2"
232600	Relief Valve, 1/2" NPT, Set as 75 psig
232602	Relief Valve Pipeway Adapter, 1/2" NPT

© 2018 Ohio Medical LLC. This document contains information that is proprietary and confidential to Ohio Medical LLC. Use of this information is under license from Ohio Medical LLC. Any use other than that authorized by Ohio Medical LLC is prohibited. Ohio Medical, the Ohio Medical logo, Amvex, and the Amvex logo are registered trademarks of Ohio Medical LLC.