

# Console Outlets

## FEATURES AND BENEFITS

- Accepts Chemetron/Allied®, Ohio Diamond, HillRom® Beacon Medaes, Puritan Bennett and DISS specific adapters
- Pin indexed to prevent interchangeability of gas services
- Less than 3 psi (21 kPa) pressure drop through the outlet at 120 L/min and 50 psig (345 kPa) inlet pressure
- Inlet pipe can be swiveled 360 degrees for ease of installation
- Gas specific back bodies can accept either Quick Connect or DISS front identification bodies
- Outlets can be adjusted up to 3/4" (19mm) in mounting plate thickness.
- Adapters are available from Ohio Medical LLC

## SPECIFICATIONS

The medical gas console outlet shall be Ohio Medical Healthcair® Series. The outlets shall be UL Listed, NFPA compliant, cleaned for medical gas service and be pressure tested. Each outlet shall have less than 3 psi (21kPa) pressure drop through the outlet @ 120 l/ min. and 50 psig (345 kPa) inlet pressure. For outlets providing positive pressure gas, the outlet shall be equipped with a primary and secondary check valve, the secondary check valve shall be rated for 200 psi (1,379 kPa) allowing the primary check valve to be removed for service without isolating the entire zone.

The console outlets shall have a gas specific back body which can accommodate up to a 3/4" (19 mm) plate. Each back body shall be equipped with a 6-1/2" (165 mm) length type "K" copper pipe stub which is brazed to the outlet body. The outside diameter of the copper pipe stub shall be 1/2" (12.7 mm). The inlet pipe can be swiveled 360 degrees for ease of installation.

Outlet bodies shall be gas specific by means of a gas specific indexing pin arrangement. The indexing pins shall be arranged in such a way as to connect the latch-valve assembly only with the specific matching gas back body, preventing interchangeability of gas services.

The latch-valve assembly which, by means of color coding and wording shall identify the specific medical gas service provided by the outlet and shall accept gas specific adapters.

Ohio Medical LLC is an ISO 13485 registered facility.



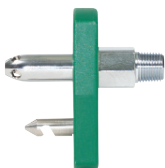
Ohio Diamond Compatible Console Outlet



Puritan-Bennett Compatible Console Outlet



Chemetron Compatible Console Outlet



DISS Console Outlet

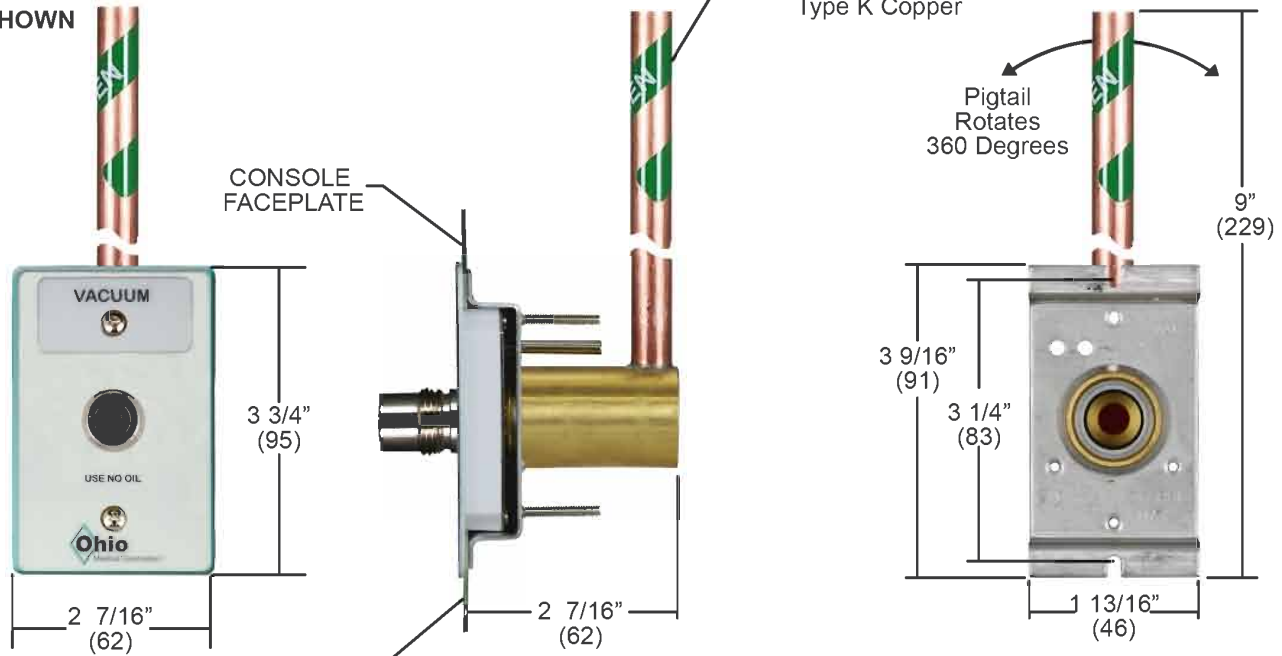


\*Rebuild Kits Available

## D.I.S.S. Shown

Rough-in assemblies to be mounted to column. Piping can not support weight of outlet assembly.

D.I.S.S. SHOWN



Spacer may be required depending on the column skin thickness

Dimensions in Inches (mm)

DESCRIPTION /PRODUCT	DISS Console	Diamond Compatible Console	Chemetron Compatible Console	Puritan-Bennett Compatible Console
Oxygen	261000-2	261010-2	261020-2	261040-2
Vacuum	261000-6	261010-6	261020-6	261040-6
Air	261000-14	261010-14	261020-14	261040-14
Nitrous Oxide	261000-10	261010-10	261020-10	261040-10
Evacuation	261000-22	261010-18	261020-18	261040-18
Nitrogen	261000-18	N/A	N/A	N/A
Carbon Dioxide	261000-26	N/A	N/A	N/A
Slide	262760	262760	262760	262760

For ISO/CSA, add "-ISO" to the end of the part number  
For Spanish Language, add "-SPN" to the end of the part number

Example: 260001-2-ISO or 260001-2-SPN

© 2018 Ohio Medical LLC.

This document contains information that is proprietary and confidential to Ohio Medical LLC. Use of this information is under license from Ohio Medical LLC. Any use other than that authorized by Ohio Medical LLC is prohibited. Ohio, Ohio Medical LLC, Ohio Medical and the Ohio Medical LLC logo are registered trademarks of Ohio Medical LLC.

Chemetron is a registered trademark of Allied Healthcare Products, Inc., Puritan Bennett is a registered trademark of Nellcor Puritan Bennett LLC. BeaconMedaes is a registered trademark of Beacon Medical Products LLC. UL and the UL logo are registered trademarks of UL LLC Limited Liability Company. NFPA is a registered trademark of National Fire Protection Association, Inc. ISO is a registered trademark of International Organization for Standardization Hill-Rom is a registered trademark of Hillenbrand Industries