

Ambulance/OEM Outlets

FEATURES AND BENEFITS

- DISS connection on inlet pipe for any hose connection
- Accepts Chemetron/Allied®, Ohio Diamond, HillRom® Beacon Medaes, Puritan Bennett and DISS specific adapters
- Pin indexed to prevent interchangeability of gas services
- Less than 3 psi (21 kPa) pressure drop through the outlet at 120 L/min and 50 psig (345 kPa) inlet pressure
- Inlet pipe can be swiveled 360° for ease of installation
- Gas specific back bodies can accept either Quick Connect or DISS front identification bodies
- Outlets can be adjusted up to 3/4" (19 mm) in mounting plate thickness
- Adapters are available from Ohio Medical LLC

SPECIFICATIONS

The medical gas console outlet shall be Ohio Medical Healthcair® Series. The outlets shall be UL Listed, NFPA compliant, cleaned for medical gas service and be pressure tested. Each outlet shall have less than 3 psi (21 kPa) pressure drop through the outlet @ 120 L/min and 50 psig (345 kPa) inlet pressure. For outlets providing positive pressure gas, the outlet shall be equipped with a primary and secondary check valve, the secondary check valve shall be rated for 200 psi (1,379 kPa) allowing the primary check valve to be removed for service without isolating the entire zone.

The console outlets shall have a gas specific back body which can accommodate up to a 3/4" (19 mm) plate. Each back body shall be equipped with a copper gas specific DISS fitting which is brazed to the outlet body. The inlet pipe can be swiveled 360° for ease of installation.

Outlet bodies shall be gas specific by means of a gas specific indexing pin arrangement. The indexing pins shall be arranged in such a way as to connect the latch-valve assembly only with the specific matching gas back body, preventing interchangeability of gas services.

The latch-valve assembly which, by means of color coding and wording shall identify the specific medical gas service provided by the outlet and shall accept gas specific adapters.

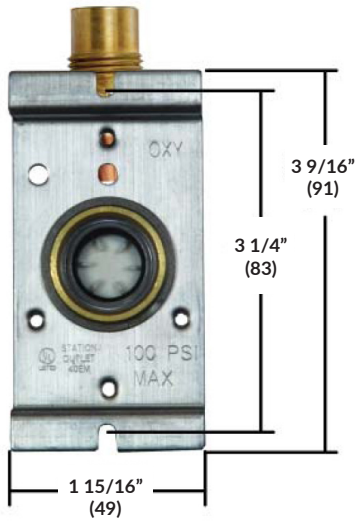
Ohio Medical LLC is an ISO 13485 registered facility.

*Rebuild Kits Available

Chemetron® is a registered trademark of Allied Healthcare Products, Inc.
Hill-Rom® is a registered trademark of Hillenbrand Industries

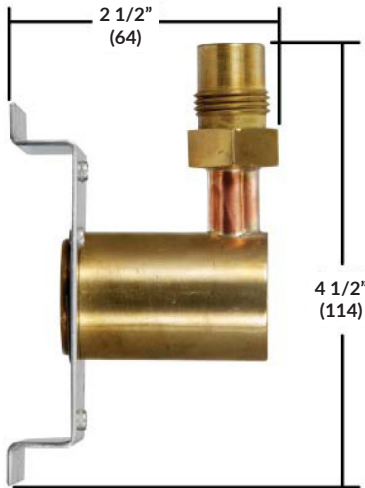


DISS Shown

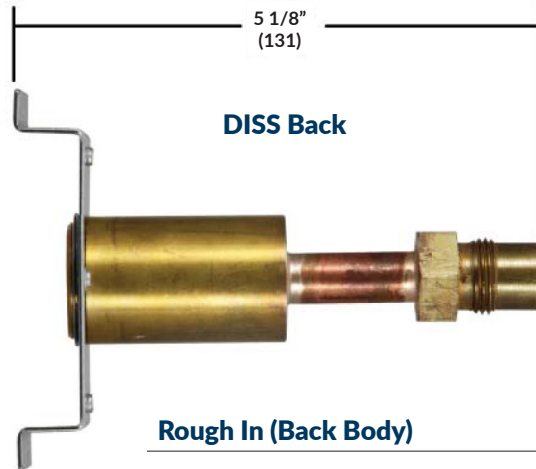


Latch Valve (Front Body) Console Compatible

| | DISS | Diamond | Chemetron | Puritan-Bennett |
|----------------|-----------|----------|-----------|-----------------|
| Oxygen | 261100-1 | 261110-1 | 261120-1 | 261140-1 |
| Vacuum | 261100-2 | 261110-2 | 261120-2 | 261140-2 |
| Nitrous Oxide | 261100-3 | 261110-3 | 261120-3 | 261140-3 |
| Air | 261100-4 | 261110-4 | 261120-4 | 261140-4 |
| Nitrogen | 261100-5 | | | |
| WAGD | 261100-6 | 261110-6 | 261120-6 | 261140-6 |
| Carbon Dioxide | 261100-7 | | | |
| Instrument Air | 261100-IA | | | |



90° DISS Side



DISS Back

Rough In (Back Body)

| | DISS Back | 90° DISS Side |
|----------------|-----------|---------------|
| Oxygen | 261230-1 | 261230-2 |
| Vacuum | 261230-3 | 261230-4 |
| Nitrous Oxide | 261230-5 | 261230-6 |
| Air | 261230-7 | 261230-8 |
| Nitrogen | 261230-9 | 261230-10 |
| WAGD | 261230-11 | 261230-12 |
| Carbon Dioxide | 261230-13 | 261230-14 |
| Instrument Air | 261230-15 | 261230-16 |

© 2020 Ohio Medical LLC. This document contains information that is proprietary and confidential to Ohio Medical LLC. Use of this information is under license from Ohio Medical LLC. Any use other than that authorized by Ohio Medical LLC is prohibited. Ohio Medical LLC, Ohio Medical and the Ohio Medical LLC logo are registered trademarks of Ohio Medical LLC. Chemetron is a registered trademark of Allied Healthcare Products, Inc., Puritan Bennett is a registered trademark of Nellcor Puritan Bennett LLC. UL and the UL logo are registered trademarks of UL LLC Limited Liability Company. NFPA is a registered trademark of National Fire Protection Association, Inc.