

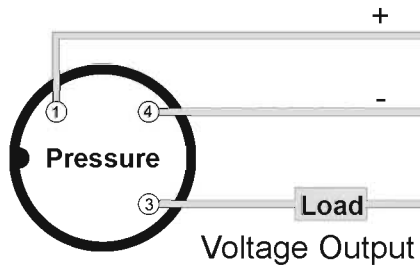
## Features and Benefits

- Pre-Scaled in Ranges up to:  
 Vacuum 30" - 0" Hg  
 Pressure 0 - 200 psig
- IP67
- Robust Ceramic Measuring Element

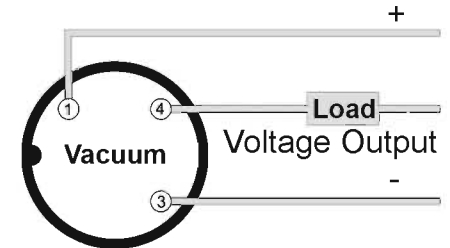


## Specifications

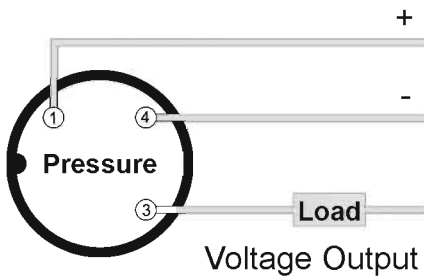
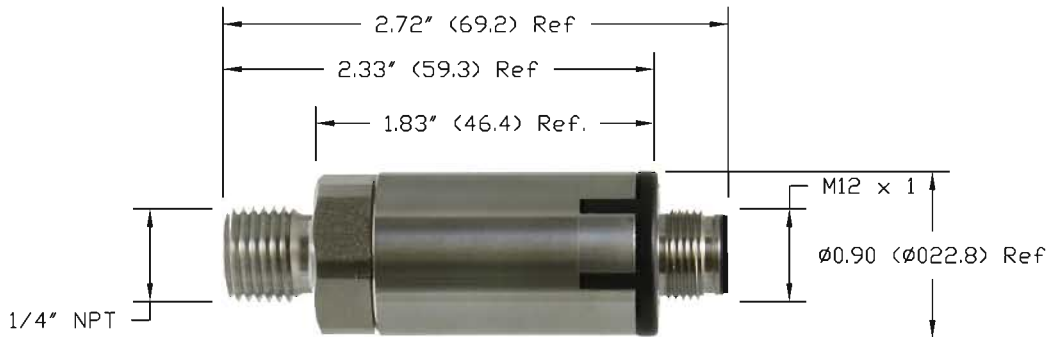
Performance	Pressure	Vacuum
Operating Range	0 - 200 Psig	-30" - 0" Hg
Presissable Overpressure	500 Psig	90" Hg
Accuracy	≤0.3% full Scale	≤ 0.3% full Scale
Medium Temperature	-40°F to +302°C (-40°C- +150°C)	-40°F to +302°F (-40°C- +150°C)
Operating Voltage	11.4 - 33 VDC	11.4 - 33 VDC
Output	0 - 10 V	0 - 10 V (0"Hg = 0V) (-30"Hg = 10V)
Current Consumption	≤20 mA	≤ 20 mA
Dynamic Response	< 2 ms	< 2 ms
Short Circuit Protection	Yes	Yes
Reverse Polarity Protection	Yes	Yes
Degree of Protection	IP 67	IP 67
Housing Material	AISI 303 (SST 1.4305)	AISI 303 (SST 1.4305)
Electrical Connection	M12 x 1	M12 x 1
Fluid Connection	1/4" NPT	1/4" NPT
Shock Resistance	75G, 11 ms per IEC 68-2-27	75G, 11 ms per IEC 68-2-27
Vibration Resistance	20G, 15 mm per IEC 68-2-6	20G, 15 mm per IEC 68-2-6
Diaphragm Material	AL <sub>2</sub> O <sub>3</sub> Ceramic	AL <sub>2</sub> O <sub>3</sub> Ceramic
O-Ring Material	Viton	Viton



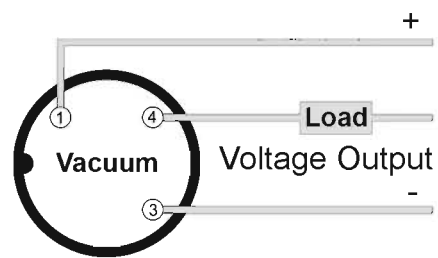
0 - 10V Output  
3 Wire Loop Power



0 - 10V Output  
3 Wire Loop Power



Pressure Transducer  
 Part Number 211523  
 0 - 10V Output  
 3 Wire Loop Power  
 Part Number Mating  
 Cord Set 211524



Vacuum Transducer  
 Part Number 211526  
 0 - 10V Output  
 3 Wire Loop Power  
 Part Number Mating  
 Cord Set 211524



© 2013 Ohio Medical Corporation.

This document contains information that is proprietary and confidential to Ohio Medical Corporation. Use of this information is under license from Ohio Medical Corporation. Any use other than that authorized by Ohio Medical Corporation is prohibited. Ohio Medical Corporation, Ohio Medical and the Ohio Medical Corporation logo are registered trademarks of Ohio Medical Corporation.



Ohio Medical Corporation , 1111 Lakeside Drive, Gurnee, IL 60031  
 Phone 800-448-0770 - Fax: 847-855-6300  
 www.ohiomedical.com - www.ohiomedicalparts.com  
 550033 (Rev. 1) 09/2013