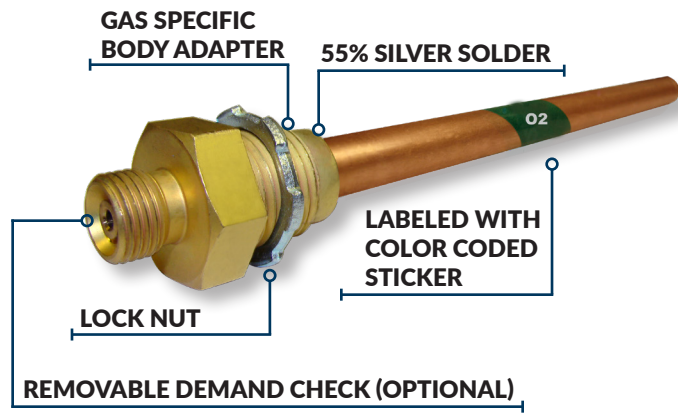


Amvex® Risers

Amvex Riser Assemblies are offered in various gases, medical vacuum and WAGD. A DISS male (CGA V-5 standard) is soldered with 55% silver to a type K copper pipe. The one piece body design helps to prevent installation mishandling and leaks. Each riser assembly is cleaned for oxygen, leak tested, individually capped on both ends and bagged. All risers are stamped and marked with the gas type and an ISO or US color coded label. Available options include removable check valve (RC), standard check valve (DC), and no check valve (DM) and pressure cap and chain. Risers are compliant to NFPA® 99. Risers without check valve include metal DISS cap with chain (if available). Risers with check valves include plastic caps over the threads.



Note: For installation instructions, refer to NFPA® 99C

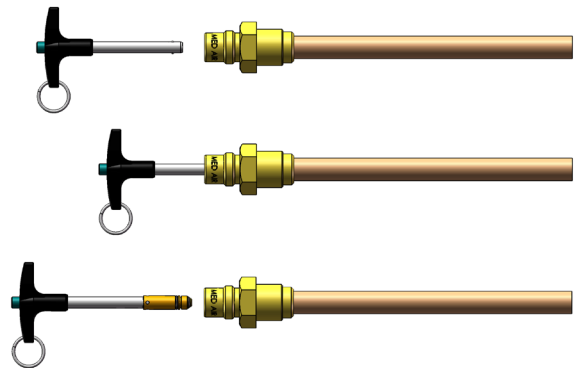
RA-07YZ-XX08

Pipe Length 7" 07	Pipe Diameter 1/2" 08
Color Code USA U ISO I	Adapter Demand Check DC DISS Male DM Removable Check RC
Gas	
Nitrous Oxide	2
Medical Air	A
Carbon Dioxide	C
Oxygen	O
Nitrogen	N
Vacuum	V
WAGD	W
Heliox (Helium <80%)	OH
Instrument Air	I

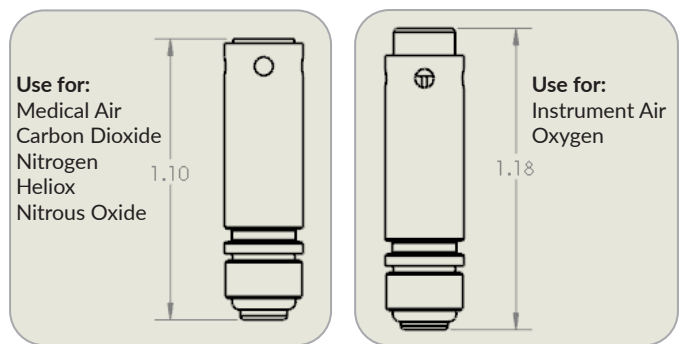
Some configurations may not be available. Please contact your Ohio Medical representative for more information.

REMOVABLE CHECK RISERS

Steps:



CHECK VALVE DIAGRAM



- Available with removable check valve for easy service (i.e. o-ring change).
- No need to cut riser - Save money and time!
- Easy on-site replacement. No need for re-certification.
- Tools and parts available: RA-INSTALL-TOOL