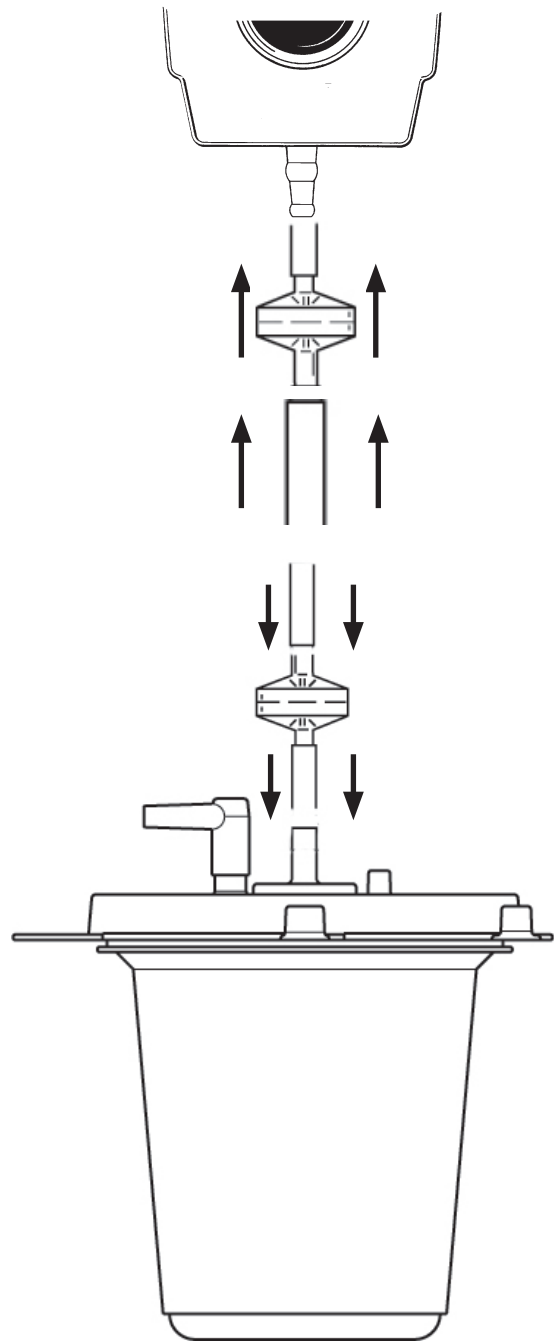
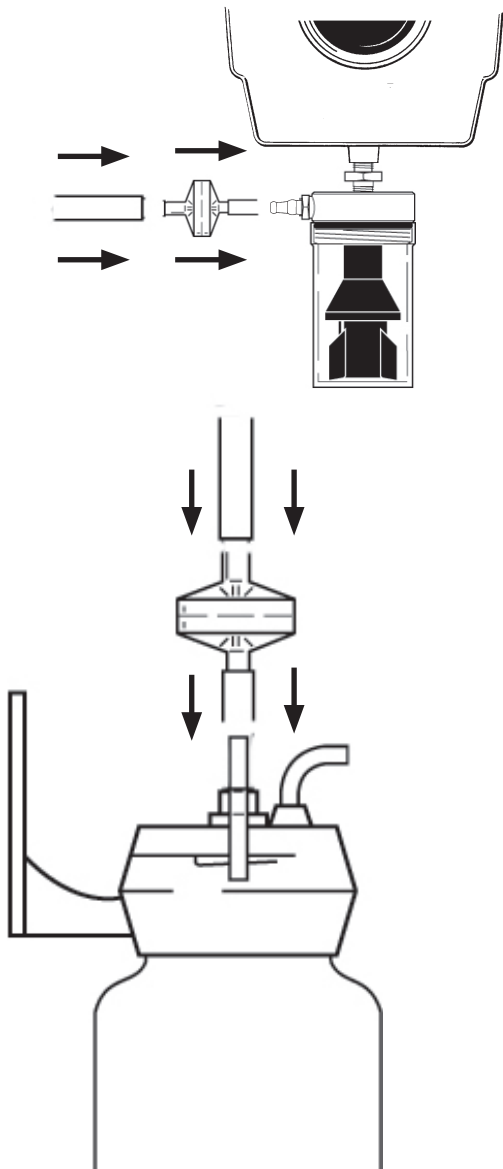


## Disposable Suction Filter



### Disposable Hydrophilic Suction Filter Reorder Number:

Package of 20 Filters	6730-0350-800
Package of 200 Filters	6730-0351-800

### Disposable Hydrophobic Suction Filter Reorder Number:

Package of 3 Filters Tubing x Tubing Niple	6730-0570-800
Package of 10 Filters Tubing x Tubing Niple	6730-0571-800
Package of 50 Filters Tubing x Tubing Niple	6730-0572-800
Package of 3 Filters 1/8 NPT x Tubing Niple	6730-0580-800
Package of 10 Filters 1/8 NPT x Tubing Niple	6730-0581-800
Package of 50 Filters 1/8 NPT x Tubing Niple	6730-0582-800

**Rx Only** 

**Ohio Medical LLC**  
1111 Lakeside Drive, Gurnee, IL 60031 USA  
866.549.6446 | ohiomedical.com