

Rx Only

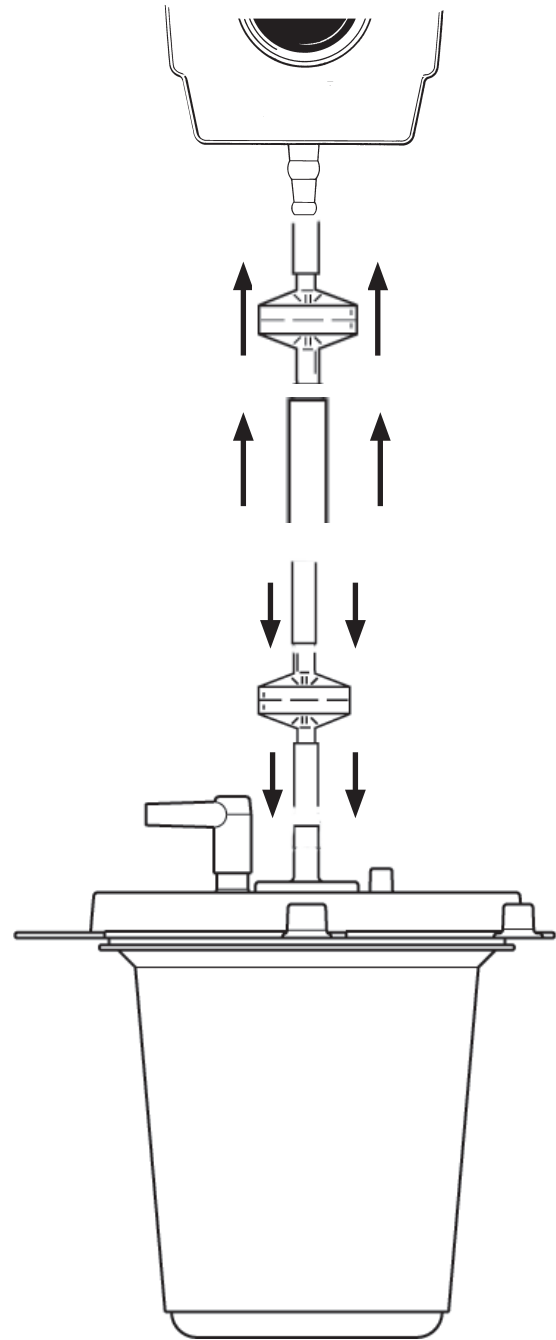
Disposable Hydrophilic Suction Filter Reorder Number:

Package of 20 Filters 6730-0350-800
 Package of 200 Filters 6730-0351-800

Disposable Hydrophobic Suction Filter Reorder Number:

Package of 3 Filters Tubing x Tubing Nipple 6730-0570-800
 Package of 10 Filters Tubing x Tubing Nipple 6730-0571-800
 Package of 50 Filters Tubing x Tubing Nipple 6730-0572-800

Package of 3 Filters 1/8 NPT x Tubing Nipple 6730-0580-800
 Package of 10 Filters 1/8 NPT x Tubing Nipple 6730-0581-800
 Package of 50 Filters 1/8 NPT x Tubing Nipple 6730-0582-800



AMVEX Disposable Hydrophobic Suction Filter Reorder Number

Tubing x Tubing Nipple: VR-FLTR-HB4HB4

1/8 NPT x Tubing Nipple: VR-FLTR-M2HB4



EMERGO EUROPE
 Prinsessegracht 20 2514 AP The Hague The Netherlands

AUSTRALIAN SPONSOR: EMERGO AUSTRALIA
 Level 20, Tower II Darling Park 201 Sussex Street Sydney, NSW 2000 Australia