

Amvex® Continuous Vacuum Regulator

Technical Specifications

Flow Rate: 0-80 LPM (Standard & High)
0-40 LPM (Pediatric)

Vacuum Range: 0 to Full Vacuum (Standard)
0-160 mmHg (Pediatric)
0-100 mmHg (Neonatal)

Gauge Range: 0-300 mmHg (Standard or Digital)
0-200 mmHg (Adult)
0-760 mmHg (High)
0-160 mmHg (Pediatric)
0-100 mmHg (Neonatal)

Gauge Accuracy: +/- 1% Full Scale (Digital)
+/- 3% Full Scale (Analog)

Dimensions: 5.8" x 3.0" x 4.0"
147mm x 76mm x 101mm
(H x W x D)

Weight: 0.750 lbs.

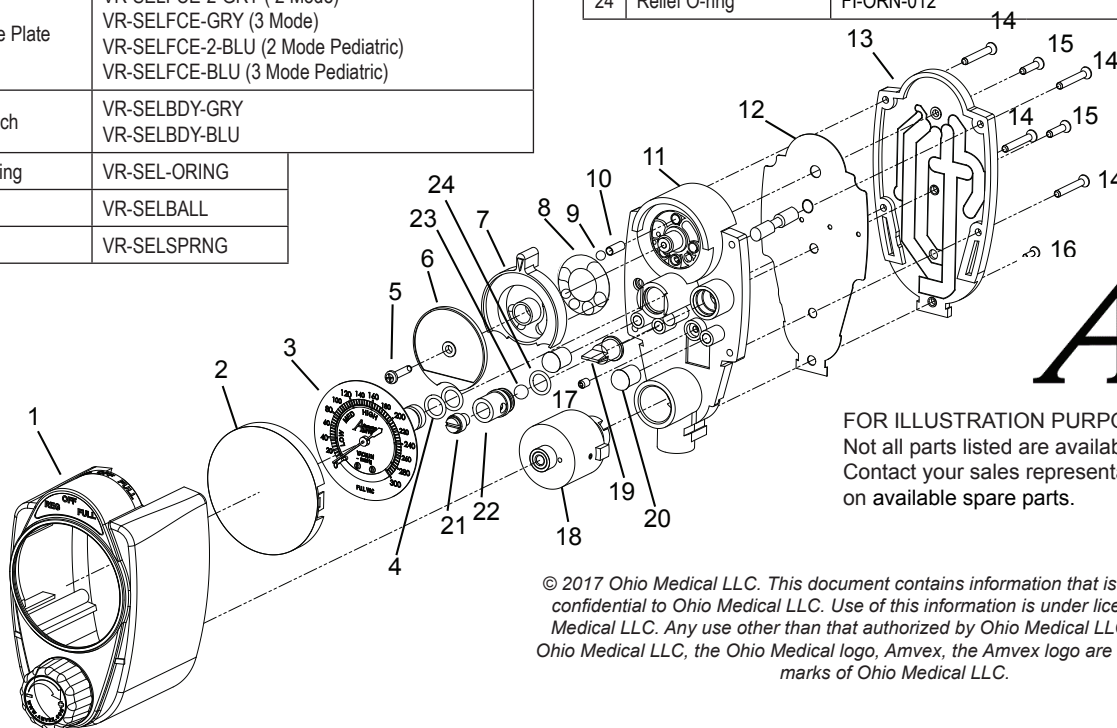


Vacuum Regulator Assembly

Continuous Vacuum Regulator Parts Identification

1	Face Assembly	VR-FACE-ASMBY (3 Mode) VR-FACE2-ASM (2 Mode)
2 & 3	Gauge and Lens	Analog: VR-AG-760MM (760 mmHg) VR-AG-300MM (300 mmHg) VR-AG-200MM (200 mmHg) VR-AG-160MM (160 mmHg) VR-AG-100MM (100 mmHg) VR-AG-760MM-CC (760 mmHg counter clockwise) VR-AG-300MM-CC (300 mmHg counter clockwise) VR-AG-160MM-CC (160 mmHg counter clockwise) Digital: VR-DG-760MM (760 mmHg) VR-DG-300MM (300 mmHg) VR-DG-200MM (200 mmHg) VR-DG-160MM (160 mmHg) VR-DG-100MM (100 mmHg)
4	Gauge O-ring (2 pcs)	FI-ORN-012
5	Selector Screw	VR-SCW-6-5/8P
6	Selector Face Plate	VR-SELFCE-2-GRY (2 Mode) VR-SELFCE-GRY (3 Mode) VR-SELFCE-2-BLU (2 Mode Pediatric) VR-SELFCE-BLU (3 Mode Pediatric)
7	Selector Switch	VR-SELBDY-GRY VR-SELBDY-BLU
8	Selector O-Ring	VR-SEL-ORING
9	Index Ball	VR-SELBALL
10	Index Spring	VR-SELSPRNG

11	Body Front	VR-BODYF-GRY VR-BODYF-BLU (Pediatric)
12	Back Gasket	VR-BACK-GSKT
13	Back Plate	VR-BDYBCK-GR-F VR-BDYBCK-BL-F (Pediatric)
14	Cover Screws (4 pcs)	VR-COVER-SCW
15	Back Plate Screws (2 pcs)	VR-SCW-6-5/8F
16	Bottom Plate Screw	VR-BCKINS-SCW
17	Orifice	VR-ORIFICE-129
18	Regulating Module	VR-MODULE (0-100mmHg, 0-160mmHg, 0-200mmHg, 0-300mmHg) VR-MODULE-H (0-760mmHg)
19	Positive Pressure Relief Valve	VR-DBVALVE-FS
20	Port Cap (2 pcs)	VR-PORT-CAP
21	Pediatric Relief Screw	VR-PEDREL-SCW (Pediatric only)
22	Pediatric Relief Body	VR-PEDREL-BDY (Pediatric only)
23	Pediatric Relief Ball	VR-PEDREL-BAL (Pediatric only)
24	Relief O-ring	FI-ORN-012



FOR ILLUSTRATION PURPOSES ONLY.
Not all parts listed are available for purchase.
Contact your sales representative for details on available spare parts.

© 2017 Ohio Medical LLC. This document contains information that is proprietary and confidential to Ohio Medical LLC. Use of this information is under license from Ohio Medical LLC. Any use other than that authorized by Ohio Medical LLC is prohibited. Ohio Medical LLC, the Ohio Medical logo, Amvex, the Amvex logo are registered trademarks of Ohio Medical LLC.