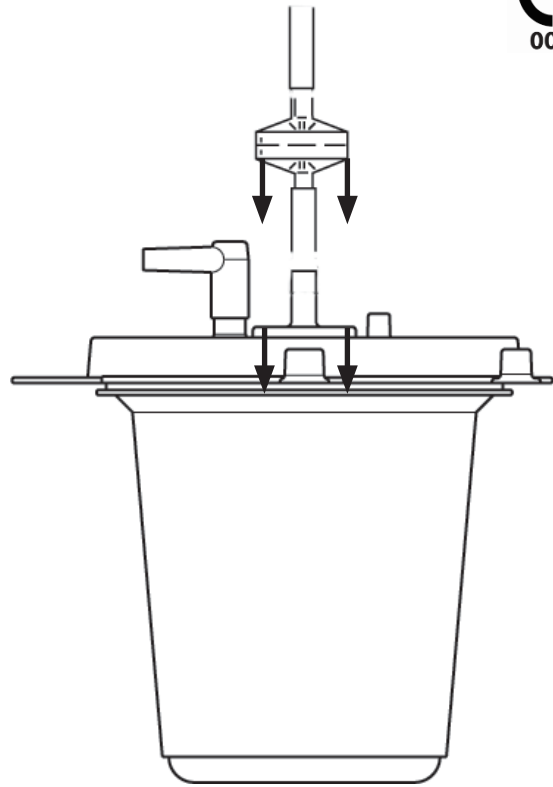
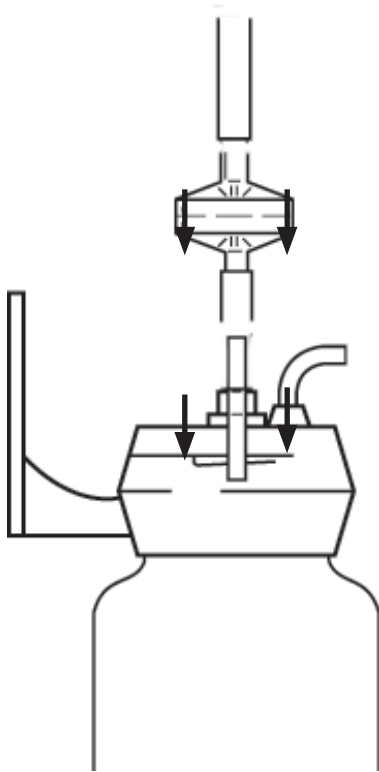
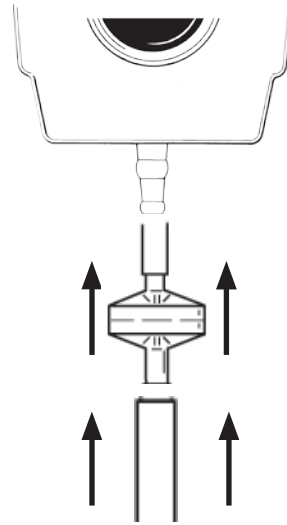
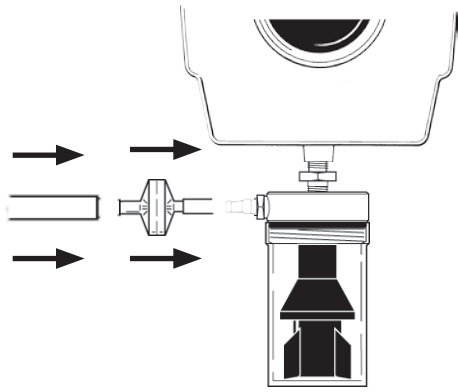




Disposable Suction Filter



Disposable Hydrophobic Suction Filter Reorder Number:

Tubing x Tubing Nipple: VR-FLTR-HB4HB4

1/8 NPT x Tubing Nipple: VR-FLTR-M2HB4

Ohio Medical LLC
1111 Lakeside Drive, Gurnee, IL 60031
Toll Free: 866-549-6446
Phone: 847-855-0500 - Fax: 847-855-6218
Amvex P/N VR-FLTR-INSTR (Rev. 1) 03/2018